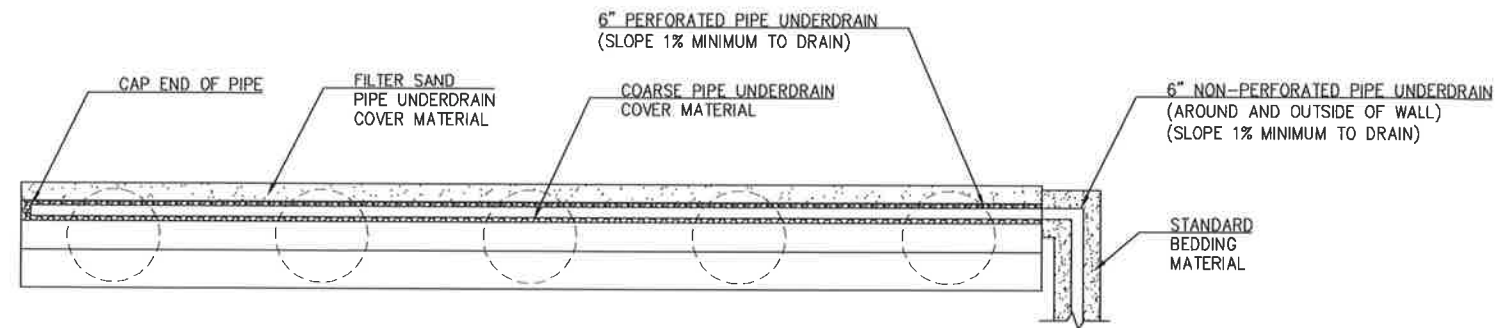
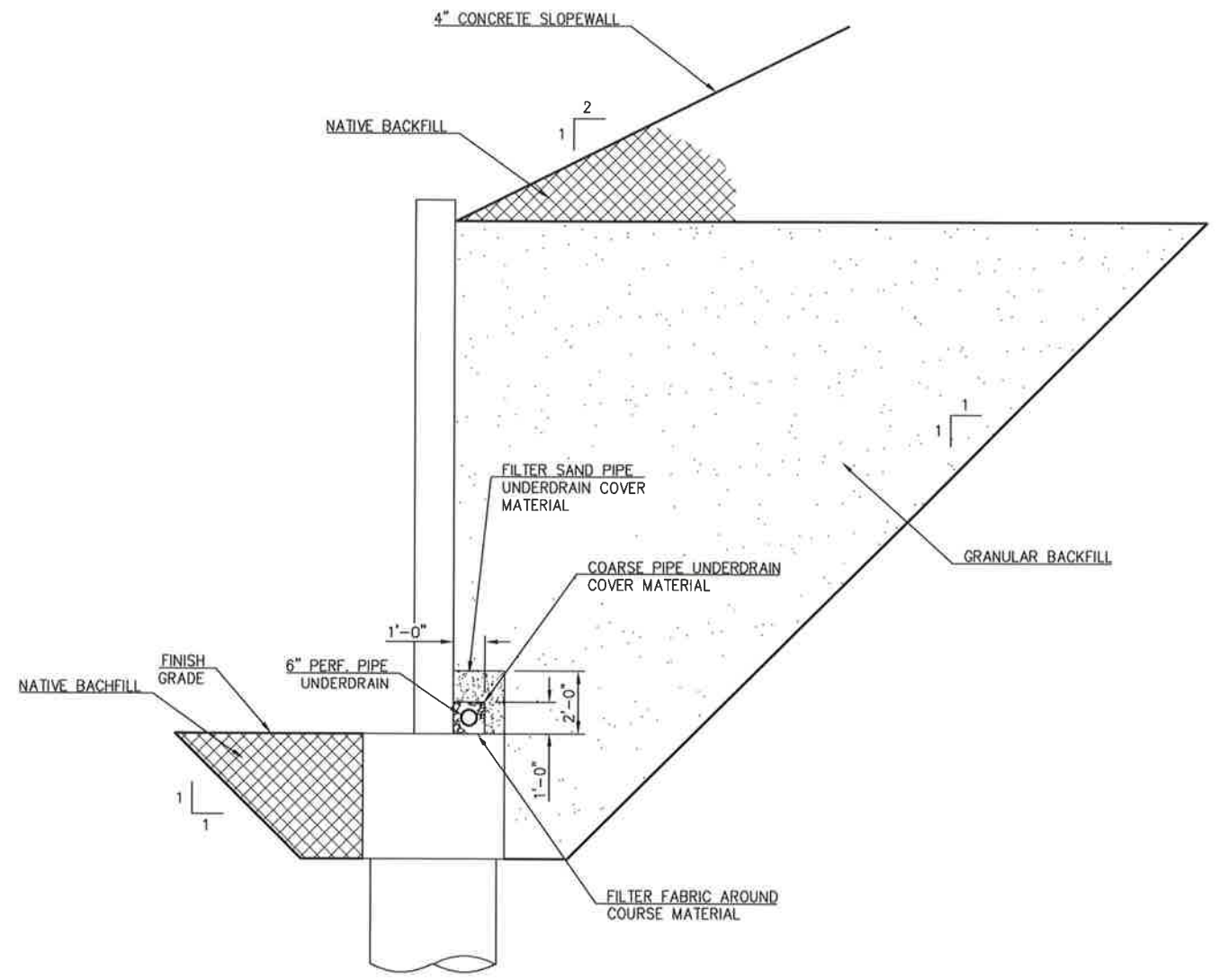


REVISIONS		
REV. NO.	DESCRIPTION	DATE

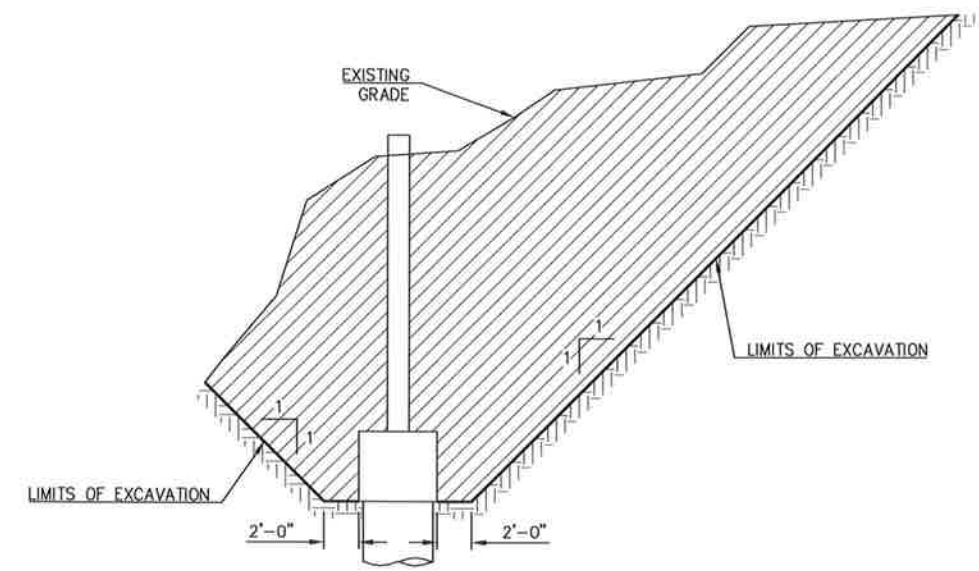


**PIPE UNDERDRAIN PLAN**

NOTE:  
 THE ENGINEER MAY ADJUST THE EXTENT, LOCATION AND DEPTH OF 6" NON-PERFORATE PIPE UNDERDRAIN DURING CONSTRUCTION. INCLUDE THE COST OF PIPE UNDERDRAIN COVER MATERIAL (BOTH FINE SAND AND COARSE), FILTER FABRIC, TRENCH EXCAVATION, STANDARD BEDDING MATERIAL, AND EQUIPMENT AND LABOR FOR THEIR INSTALLATION IN THE CONTRACT UNIT PRICE OF "RETAINING WALL". INSTALL AS SHOWN ON THE PLANS AND ON STD. PUD-3.



**BACKFILL AND PIPE UNDERDRAIN**



**SUBSTRUCTURE EXCAVATION**



6-21-17

DESIGN		E-1844/DAIRY LANE OVER UPRR	ATOKA COUNTY
DETAIL		<b>RETAINING WALL EXCAVATION AND PIPE UNDERDRAIN DETAILS</b>	
CHECK			
NEO DESIGN LLC		STATE JOB PIECE NO. 31169(04)	SHEET NO. 8003

N:\JOBS\CED3\ Dairy Lane Over UPRR\DWG\Dairy Lane Retaining Wall.dwg, EXCAVATION, 6/21/2017 9:26:08 AM